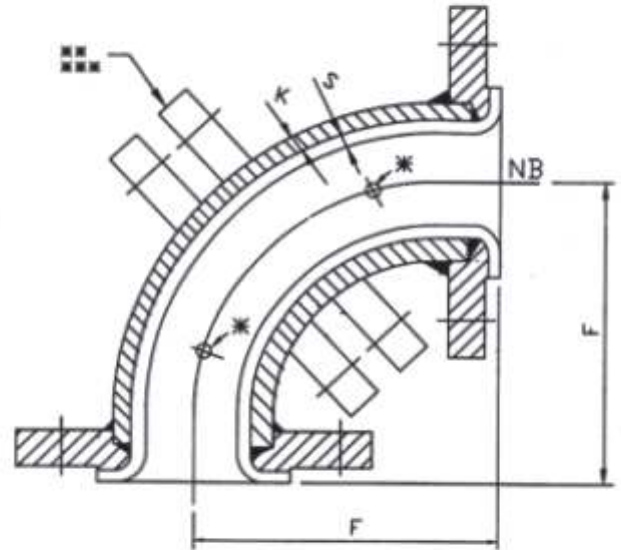


**PTFE LINED 45° ELBOW**



**PTFE LINED 90° ELBOW**

NB	F	F1	F2 (G+S)
15	89	44	14.1
20	89	44	15.7
25	89	44	17.2
32	95	51	18.8
40	102	57	20.5
50	114	63	22.1
65	127	76	25.2
80	140	76	26.8
100	165	102	26.8
125	190	114	27.8

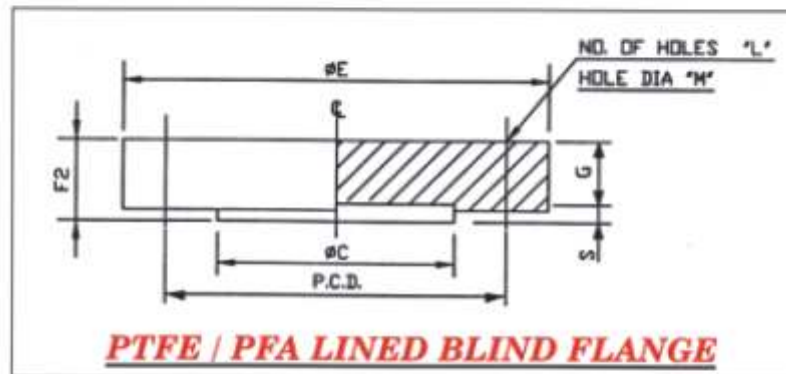
NB	F	F1	F2 (G+S)
150	203 (305)**	127	29.4
200	229 (338)**	140	32.6
250	(419)**	165	35.2
300	(483)**	190	36.8
350	(546)**	226	39.9
400	(610)**	253	41.5
450	(673)**	279	45.2
500	(737)**	305**	48.9
600	(864)**	358**	54.6

**NOTE :**

- \* VENT HOLE
- \*\* IN TWO PIECE CONSTRUCTION
- \*\*\* IN THREE PIECE CONSTRUCTION
- \*\*\*\* IN FOUR PIECE CONSTRUCTION

**SPECIFICATIONS :**

1. ALL DIMENSIONS ARE IN mm
2. OTHER DIMENSIONS & SPECIFICATIONS ARE AS GIVEN IN PTFE LINED PIPE DRAWING
3. MATERIAL CONSTRUCTION :  
 ELBOW BODY : ASTM A 234 Gr. WPB  
 FLANGE : ANSI B 16.5, ASA 150#, IS 2062 Gr. A  
 LINER : PTFE, ASTM D 1457 TYPE III, / PFA, ASTM D 3307, PFA LINER THK. 'S' = MINIMUM 3.0mm



**PTFE / PFA LINED BLIND FLANGE**