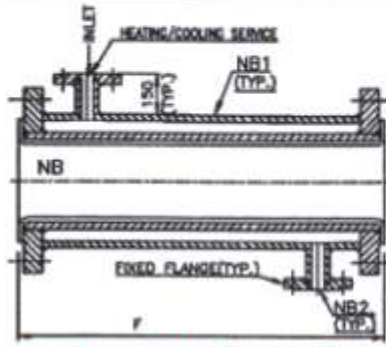
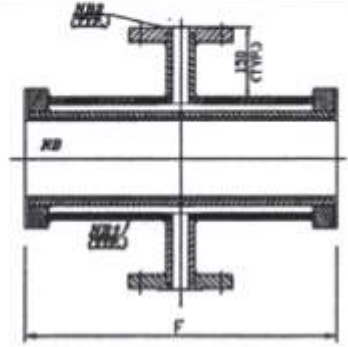


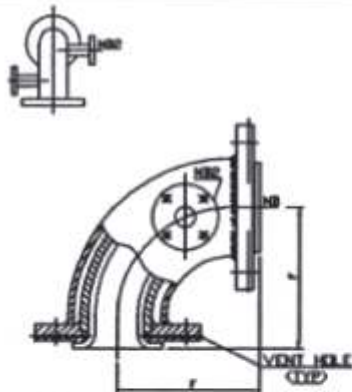
PTFE LINED DOUBLE / SINGLE JACKETED PIPE



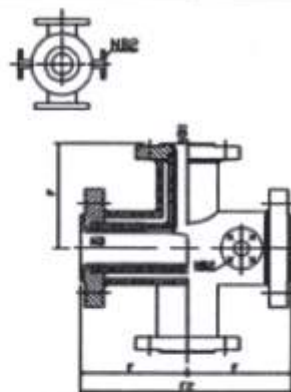
PTFE LINED JACKETED SPACER (FLANGE TYPE)



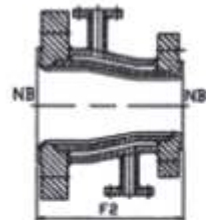
PTFE LINED JACKETED SPACER (COLLAR TYPE)



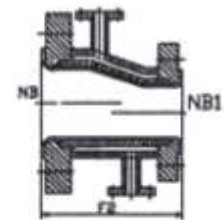
PTFE LINED JACKETED 90° / 45° ELBOW



PFA LINED JACKETED EQ / RED. TEE & CROSS



PTFE / PFA LINED JACKETED CONCENTRIC REDUCER



PTFE / PFA LINED JACKETED ECCENTRIC REDUCER

NB	NB1	NB2	DOUBLE JKTD PIPE	SINGLE JKTD PIPE	SPACER JKTD PIPE (FLANGE TYPE)	SPACER JKTD PIPE (COLLAR TYPE)
			F	F	F	F
25	40	15	1500 - 3000	500 - 1500	100 - 500	-
40	65	15	1500 - 3000	500 - 1500	100 - 500	-
50	80	15	1500 - 3000	500 - 1500	100 - 500	-
80	100	20	1500 - 3000	500 - 1500	200 - 500	100 - 200
100	150	20	1500 - 3000	500 - 1500	200 - 500	100 - 200
150	*	25	1500 - 2000	500 - 1500	200 - 500	100 - 200
200	*	25	1500 - 2000	500 - 1500	300 - 500	200 - 300
250	300	25	-	500 - 1500	300 - 500	200 - 300
300	350	25	-	500 - 1500	300 - 500	200 - 300

NOTE :

- FOR JKTD SPACER (COLLAR TYPE) PARTY WILL HAVE TO USE BOLTS EXTENDING FROM ONE CONNECTING FLANGE TO OTHER CONNECTING FLANGE
- * SUITABLE LD. / O.D. PIPE WILL BE USED
- LENGTH FOR JACKETED FITTINGS AS PER CORRESPONDING NON JACKETED FITTINGS
- VENT HOLE WILL BE PROVIDED FOR PTFE LINED PIPE & FITTINGS

SPECIFICATIONS :

- ALL DIMENSIONS ARE IN mm.
- OTHER DIMENSIONS & SPECIFICATIONS ARE AS GIVEN IN PTFE LINED PIPE DRAWING
- PIPE : ANSI B 36.10, ASTM A 106 Gr. B Sch. 40 UPTO 150NB, MINIMUM Sch. 20 FROM 200NB ONWARDS
- ELBOW & REDUCER BODY & JACKET : ASTM A 234 Gr. WPB
- FLANGE : ANSI B 16.5, ASA 150#, IS 2062 Gr.A / ASTM A 105
- LINER : PTFE, ASTM D 1457 TYPE - III / PFA, ASTM D 3307, PFA LINER THK. 'S' = MINIMUM 3.0mm