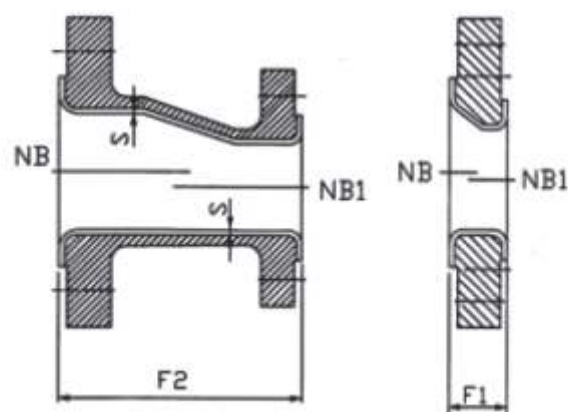


**PFA / FEP / PTFE LINED CON.
REDUCER & REDUCING FLG.**



**PFA / FEP / PTFE LINED ECC.
REDUCER & REDUCING FLG.**

NB	NB1	F2	F1
25	20	114	35
32	25/20	114	35
40	32/25	114	35
50	40/32/25	127	35
65	50/40/32/25	127	35
80	65/50/40/32/25	152	45
100	80/65/50/40/32/25	178	45
125	100/80/65/50/40/32/25	203	45
150	125/100/80/65/50/40/32/25	229	54
200 #	150/100	279	54
250 #	200/150	305	54
300 #	250/200/150	356	54
350 #	300/250/200/150	406	60

NB	NB1	F2	F1
25	20	114	35
32	25/20	114	35
40	32/25	114	35
50	40/32/25	127	35
65	50/40/25	127	35
80	65/50/40/25	152	45
100	80/50/40/25	178	45
125	100/80/50	203	45
150	125/100/80/50/40	229	54
200	150	279	54
250	200	305	54
300	250	356	54
350	300	406	60

NOTE :

- # OTHER COMBINATIONS OF NB x NB1 AVAILABLE ON REQUEST
VENT HOLE WILL BE PROVIDED ONLY ON PTFE LINED CONCENTRIC & ECCENTRIC REDUCER
- FOR MORE THAN ONE STEP REDUCTION IN PTFE LINED ECCENTRIC REDUCER/REDUCING FLANGES, FEASIBILITY TO BE CONFIRMED.

SPECIFICATIONS :

- ALL DIMENSIONS ARE IN mm
- OTHER DIMENSIONS & SPECIFICATIONS ARE AS GIVEN IN PTFE LINED PIPE DRAWING
- MATERIAL CONSTRUCTION :
RED. FLG. BODY : IS 2062 Gr. A
RED. BODY : CAST IRON/ S.G. IRON / DUCTILE IRON CASTING AS PER ASTM A 216 /ASTM A 395 & DIMENSIONAL STANDARD AS PER ASME B 16.42-1998 OR ASTM A 234 Gr. WPB (WELDED CONSTRUCTION)
FLANGE : DRILLED TO ANSI B 16.5, ASA 150#
LINER : PTFE, ASTM D 1457 TYPE III / PFA, ASTM D 3307, PFA LINER THK. 'S' = MINIMUM 3.0 mm / FEP, ASTM D 2116, FEP LINER THK. 'S' = MINIMUM 3.0 mm